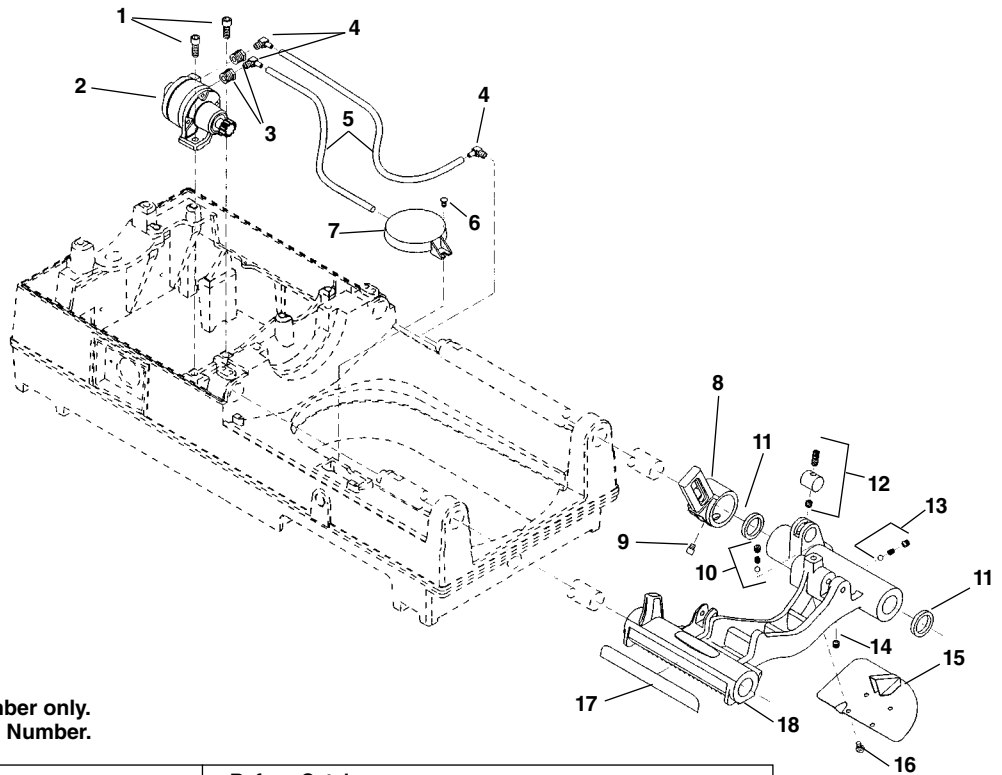


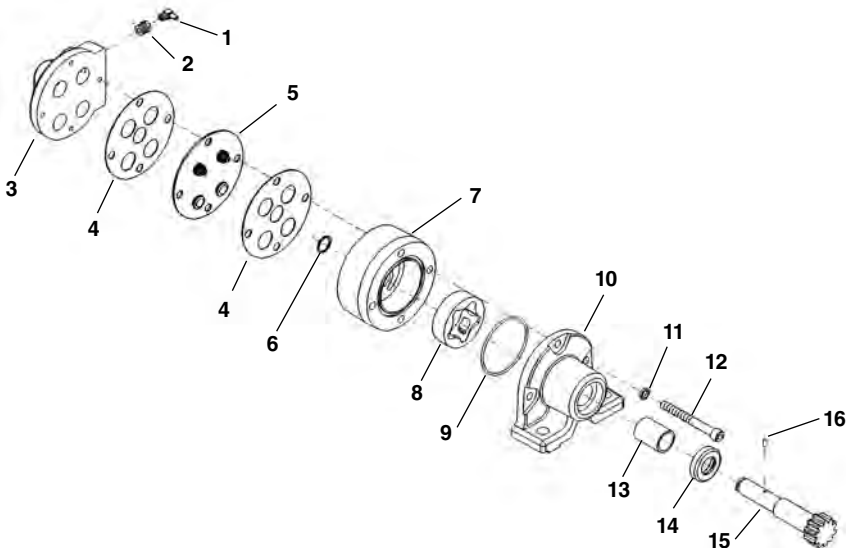
Carriage and Oiling System



**NOTE: Order parts by Catalog Number only.
DO NOT order by Reference Number.**

| Ref. No. | Catalog No. | Description | Ref. No. | Catalog No. | Description |
|----------|-------------|-------------------------|----------|-------------|---|
| 1 | 46750 | Screw (2) | 10 | 46810 | Detente Assembly |
| 2 | 62052 | Model MJ Oil Pump | 11 | 46720 | Oil Seal (2) |
| 3 | 62047 | Reducing Bushing (2) | 12 | 61957 | Plug Assembly |
| 4 | 87945 | Right Angle Fitting (3) | 13 | 35307 | Pressure Relief Assembly |
| 5 | 87950 | Oil Line (2) | 14 | 46815 | Pipe Plug 1/8" NPT |
| 6 | 45420 | Screw | 15 | 45195 | Drip Plate |
| 7 | 58467 | Oil Filter Assembly | 16 | 46270 | Screw (4) |
| 8 | 43690 | Cutter Arm | 17 | 46370 | Scale |
| 9 | 44930 | Stop Screw | 18 | 62057 | Carriage Assy. (Includes Ref. No. 8-17) |

Model MJ Oil Pump



| Ref. No. | Catalog No. | Description |
|----------|-------------|--|
| — | 62052 | Model MJ Oil Pump |
| 1 | 87945 | Right Angle Fitting (2) |
| 2 | 62047 | Reducing Bushing (2) |
| 3 | 33442 | Valve Body |
| 4 | 33457 | Gasket (2) |
| 5 | 33452 | Valve Body Assembly |
| 6 | 61997 | Retaining Ring |
| 7 | 62002 | Gerotor Housing |
| 8 | 62007 | Gerotor Set |
| 9 | 33477 | O-Ring |
| 10 | 62012 | Pump Body |
| 11 | 45150 | Lock Washer (3) |
| 12 | 62017 | Screw (3) |
| 13 | 61972 | Bushing |
| 14 | 33472 | Oil Seat |
| 15 | 61982 | Pump Shaft |
| 16 | 26907 | Drive Pin |
| 17 | 61977 | Pump Repair Kit (Includes Ref. No. 4-6, 9, 13, 14, and 16) |